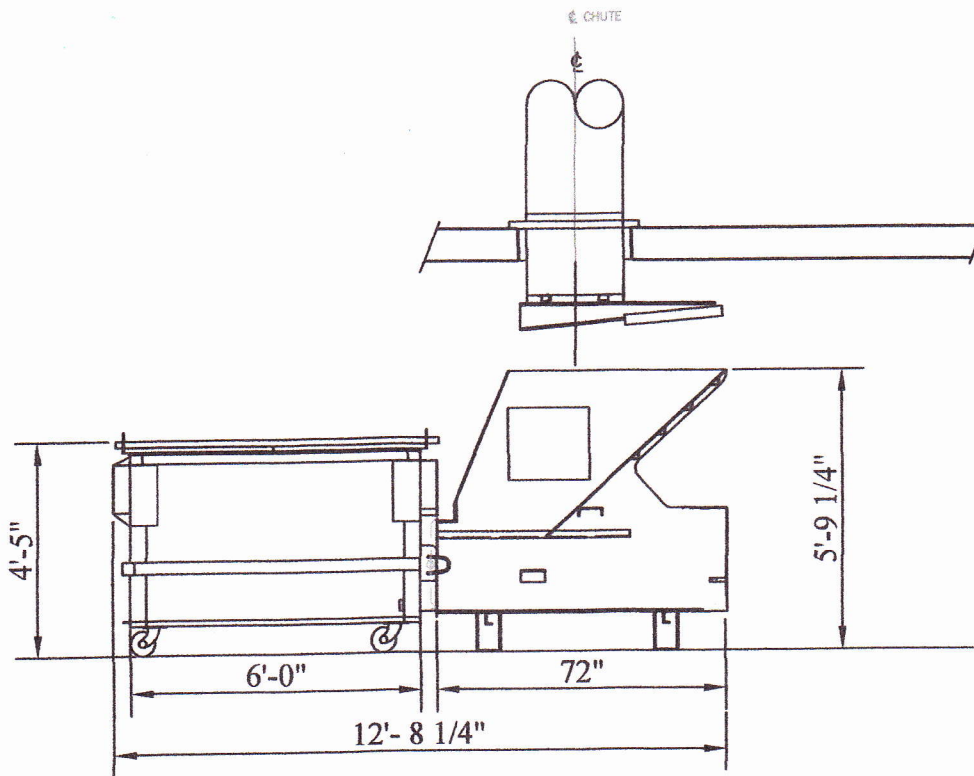


HYDRAULIC PACK FOR COMPACTOR

TYPICAL PLAN



SIDE VIEW

DESCRIPTION	REV.	DATE	INIT.
600-C5			
JOB:			
ADRESS:			
JOB #			